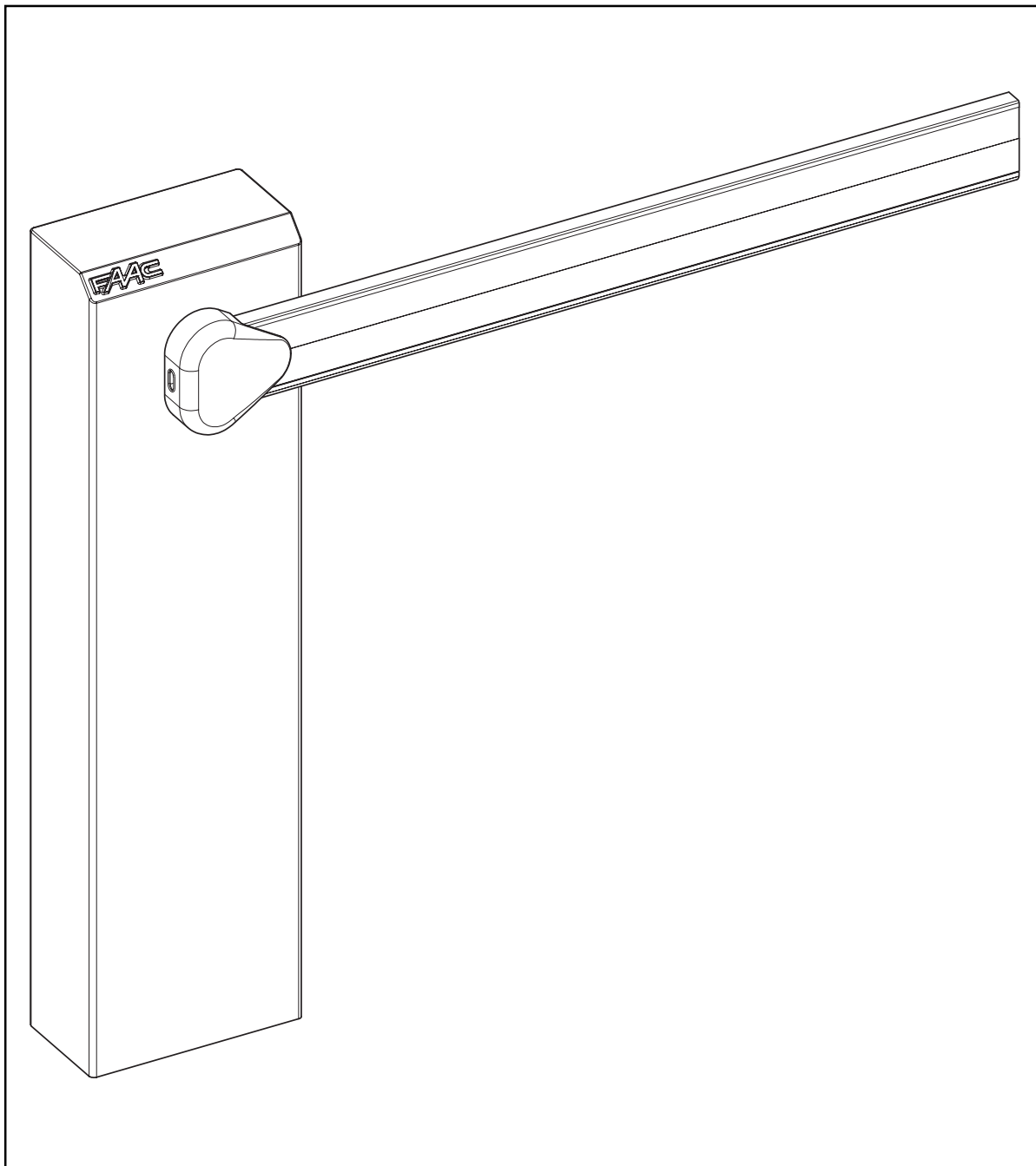




615BPR




FAAC


 **FAAC** per la natura
carta riciclata 100%

 **FAAC** for nature
recycled paper 100%

 **FAAC** pour la nature
papier recyclé 100%

 **FAAC** ist umweltfreundlich
100% Altpapier

 **FAAC** para la naturaleza
100% papel reciclado


 **FAAC** voor de natuur
100% kringlooppapier


Index

EC MACHINE DIRECTIVE COMPLIANCE DECLARATION	p. 2
IMPORTANT NOTICE FOR THE INSTALLER	p. 2
1. DESCRIPTION AND TECHNICAL SPECIFICATIONS	p. 3
1.1. MAXIMUM USE CURVE	p. 3
2. ELECTRICAL DEVICES (standard system)	p. 4
3. DIMENSIONS	p. 4
4. INSTALLING THE AUTOMATIC SYSTEM	p. 4
4.1. PRELIMINARY CHECKS	p. 4
4.2. MASONRY FOR FOUNDATION PLATE	p. 4
4.3. MECHANICAL INSTALLATION	p. 4
4.4. INSTALLING AND ADJUSTING THE BALANCING SPRING	p. 5
4.5. CONVERTING FROM RIGHT-HAND TO LEFT-HAND VERSION	p. 5
5. START-UP	p. 6
5.1. ADJUSTING TRANSMITTED TORQUE	p. 6
5.2. ADJUSTING THE MECHANICAL STROKE LIMITERS	p. 6
5.3. ADJUSTMENT OF MAGNETIC STROKE LIMIT-SWITCHES	p. 6
5.4. AUTOMATION TEST	p. 6
6. MANUAL OPERATION	p. 6
7. RESTORING NORMAL OPERATION MODE	p. 6
8. BALANCING SPRINGS	p. 6
8.1. SPRINGS FOR RIGID AND SKIRTED BEAMS	p. 6
8.2. SPRINGS FOR RECTANGULAR BEAMS WITH FOOT AND WITH SKIRT AND FOOT	p. 6
9. AVAILABLE ACCESSORIES	p. 7
10. MAINTENANCE	p. 7
10.1. TOPPING UP OIL	p. 7
11. REPAIRS	p. 7

Notes on reading the instruction

Read this instrument manual to the full before you begin installing the product.

The symbol  indicates notes that are important for the safety of persons and for the good condition of the automated system.

The symbol  draws your attention to the notes on the characteristics and operation of the product.

EC MACHINE DIRECTIVE COMPLIANCE DECLARATION

(DIRECTIVE 89/392 EEC, APPENDIX II, PART B)

Manufacturer: FAAC S.p.A.

Address: Via Benini, 1 40069 - Zola Predosa BOLOGNA-ITALY

Hereby declares that:

the 615 BRP automation system

- is intended to be incorporated into machinery, or to be assembled with other machinery to constitute machinery in compliance with the requirements of Directive 89/392 EEC, and subsequent amendments 91/368 EEC, 93/44 EEC and 93/68 EEC;

- complies with the essential safety requirements in the following EEC Directives:

73/23 EEC and subsequent amendment 93/68 EEC.
89/336 EEC and subsequent amendments 92/31 EEC and 93/68 EEC.

and furthermore declares that unit must not be put into service until the machinery into which it is incorporated or of which it is a component has been identified and declared to be in conformity with the provisions of Directive 89/392 EEC and subsequent amendments enacted by the national implementing legislation.

Bologna, 03 March 2006

Managing Director
A. Bassi



IMPORTANT NOTICE FOR THE INSTALLER

GENERAL SAFETY REGULATIONS

- WARNING! FAAC strongly recommends to follow these instructions literally for the safety of persons. Improper installation or misuse of the product will cause very serious damages to persons.**
- Packaging material (plastic, polystyrene etc.) is a potential hazard and must be kept out of reach of children.
- Read the instructions carefully before installing the product.
- Keep these instructions for future reference.
- This product has been designed and manufactured only for the use stated in this manual. Any other use not expressly set forth will affect the reliability of the product and/or could be source of hazard.
- FAAC S.p.A. cannot be held responsible for any damage caused by improper use or different from the use for which the automation system is destined to.
- Do not use this device in areas subject to explosion: the presence of flammable gas or fumes is a serious hazard.
- The system must be constructed in compliance with the following Standards: EN12604, EN12605, EN12453, EN12445 with the exception of vehicles only systems which, however, must be provided with signs specifying use for vehicles only.
For non-EU countries, to obtain an adequate level of safety, the Standards mentioned above must be observed, in addition to national legal regulations.
- FAAC cannot be held responsible for failure to observe technical standards in the construction of gates and doors, or for any deformation of the gates which may occur during use.
- Before carrying out any operations, turn off the system's main switch.
- An omnipower switch shall be provided for the installation with an opening distance of the contacts of 3 mm or more. Alternatively, use a 6A thermomagnetic breaker with multi-pole switching.
- Ensure that there is a differential switch up-line of the electrical system, with a trip threshold of 0.03A.
- Check that the earthing plant is in perfect condition and connect it to the metallic parts. Also earth the yellow/green wire of the operator.
- The automation is fitted with an anti-crush safety system that is a torque control device. In any case, further safety devices shall be installed.
- The safety devices (e.g. photocells, safety edges, etc.) protect areas where there is a **mechanical movement hazard, e.g. crushing, entrapment and cutting.**
- Each installation must be fitted with at least one flashing light (e.g. FAAC LAMP, MINILAMP etc) as well as a warning plate suitably fixed to the gate, besides the safety devices as per point 15. above.
- FAAC cannot be held responsible regarding safety and correct functioning of the automation in the event that parts other than FAAC original parts are used.
- Use only FAAC original spare parts for maintenance operations.
- Do not carry out any modifications to automation components.
- The installer must supply all information regarding manual operation of the system in the event of an emergency and provide the end-user with the leaflet attached to the product.
- Keep out of persons when the product is in operation.
- Keep out of reach of children the remote radio controls and any control devices. The automation could be operated unintentionally.
- The end-user must avoid any attempt to repair or adjust the automation personally. These operations must be carried out exclusively by qualified personnel.
- 24) What is not explicitly stated in these instructions is not permitted.**

615 BRP AUTOMATIC SYSTEM

The 615BRP automatic system consists of an aluminium beam with reflex reflectors, and a steel upright subjected to cathaphoresis treatment and painted with polyester paint. The upright houses the hydraulic operator and the electronic control equipment.

The operator, which moves the beam, consists of a hydraulic power pack and a double-acting cylinder.

The system is supplied with an adjustable torque limitation system. It also includes a device stopping the beam in any position, and a handy manual release command for use in case of power cuts or faults.

The beam and the relevant balancing spring must be ordered by referring to the sales price list.

The 615BRP automatic system was designed and built for controlling vehicle access. Do not use for any other purpose.

1. DESCRIPTION AND TECHNICAL SPECIFICATIONS

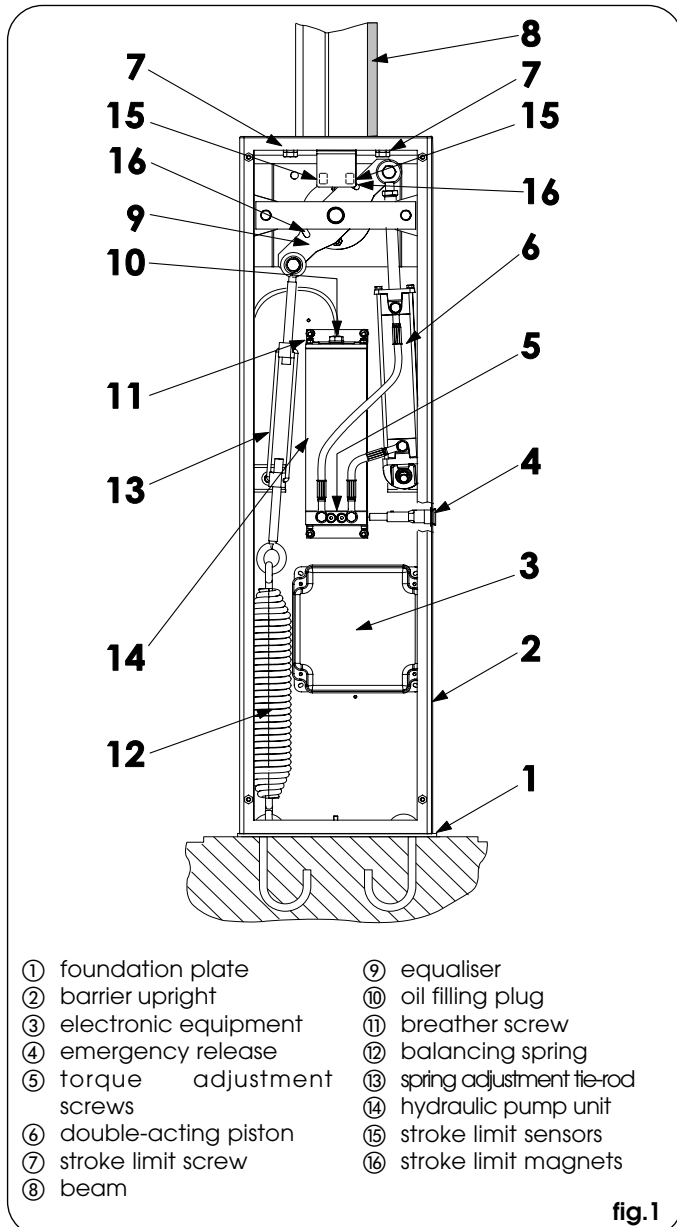


TABLE 1 Technical specifications of "615BPR barrier"

BARRIER MODEL	615BPR STD	615BPR RAP
Beam max. length (m)	5	2,5
Max. opening time (sec)	5,7	2,9
Angle speed (rad/sec)	0.28	0,54
Pump flow-rate (l/min)	1.5	3
Max. torque (Nm)	400	300
Types of beam	Rigid/Skirt Articulated	Rigid
Use frequency (at 20°C)	50%	40%
Max.consecutive cycles (at 20°C)	220	340
Power supply	230V~ (+6 -10 %) 50Hz	
Absorbed power (W)	220	
Type of oil	FAAC HP OIL	
Oil quantity (Kg)	0,9	
Winding thermal protection	120° C	
Torque adjustment system	standard by-pass valves	
Ambient temperature	-20 to +55 °C	
Hood protective treatment	cataphoresis	
Hood paint	Polyester RAL 2004	
Protection class	IP 44	
Weight (Kg)	34 (sale package)	
Upright overall dimensions LxHxD(mm)	270 x 1015 x 140	
Electric motor technical specifications		
RPM	1400	2800
Capacity (W)	220	
Absorbed current (A)	1	
Power supply	230V~ (+6 -10 %) 50Hz	

1.1. MAXIMUM USE CURVE

The curve makes it possible to establish maximum work time (T) according to use frequency (F).

E.g. The 615BPR automatic system can operate non-stop at a use frequency of 50%.

To ensure efficient operation, operate in the work range below the curve.

Important: The curve is obtained at a temperature of 20°C. Exposure to the direct sunlight can reduce use frequency down to 20%.

Calculation of use frequency

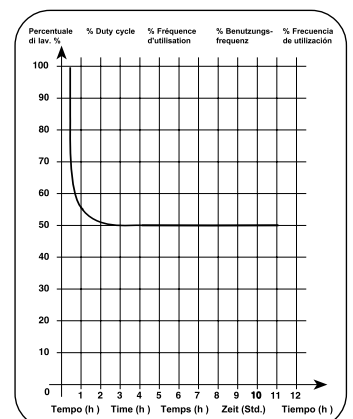
The percentage of effective work time (opening + closing) compared to cycle total time (opening + closing + pause times).

Calculation formula:

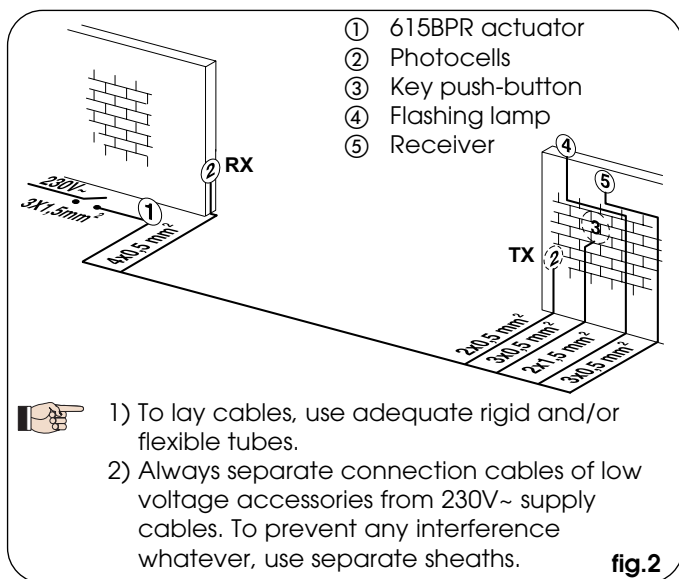
$$\%F = \frac{OT + CT}{OT + TC + PT + IT} \times 100$$

where:

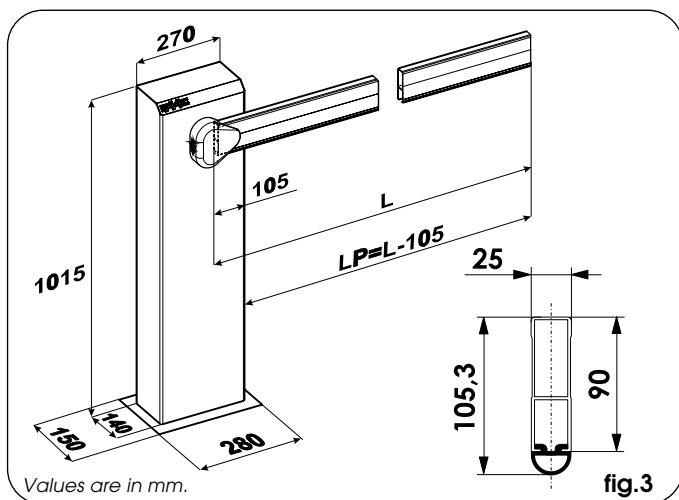
- Ot = opening time
- Ct = closing time
- Pt = pause time
- It = interval time between a full cycle and the next.



2. ELECTRICAL DEVICES (standard system)



3. DIMENSIONS



4. INSTALLING THE AUTOMATIC SYSTEM

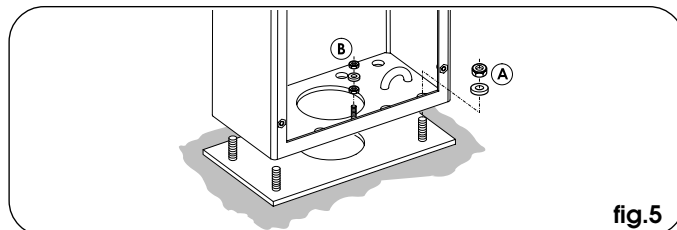
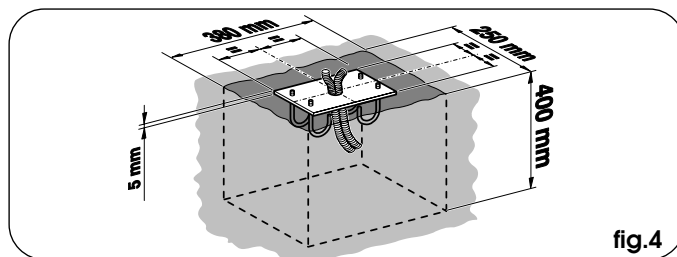
4.1. PRELIMINARY CHECKS

To ensure safety and an efficiently operating automatic system, make sure the following conditions are observed:

- When moving, the beam must not, on any account, meet any obstacles or power cables.
- The soil must permit sufficient stability for the foundation plinth.
- There must be no pipes or electric cables in the plinth excavation area.
- If the barrier body is exposed to passing vehicles, if possible make use of adequate means of protection against accidental impact.
- Check if an efficient earth socket is available for connection to the upright. Use the supplied nuts and washer (fig. 5 ref.B).

4.2. MASONRY FOR FOUNDATION PLATE

- 1) Make a foundation plinth as shown in fig.4 (referred to clayey soil)
- 2) Wall the foundation plate as shown in fig.4, supplying one or more sheaths for routing electric cables. Using a spirit level, check if the plate is perfectly level. Wait for the cement to set.



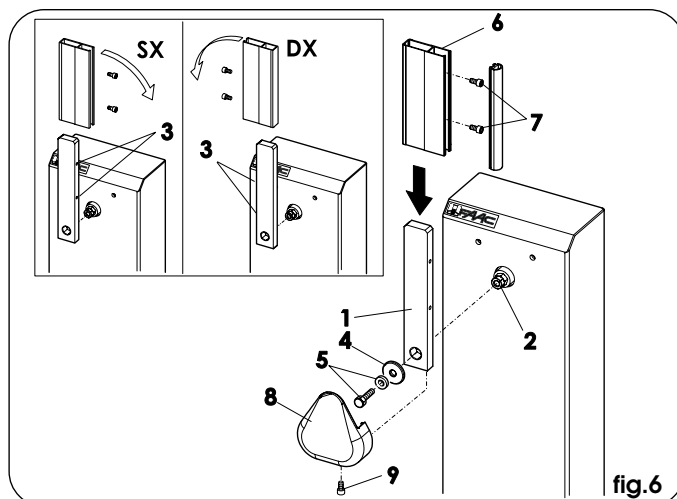
4.3. MECHANICAL INSTALLATION

- 1) Remove the cover, unscrewing the screws securing it to the upright.
- 2) Using the four nuts and washers supplied, secure the upright to the foundation plate (fig.5 ref.A). Remember that the upright door should normally face the building.
- 3) Decide whether the installation is right-hand (Fig. 7/A) or left-hand (Fig. 7/B) in connection with the references below.

⚠ The 615BPR automated system is always supplied in the right-hand version - for left-hand installation, see chapter 4.5.

Make sure that the piston rod fitted on the rocker arm is fully extended (corresponding to the beam's vertical position).

- 4) Remove and store the breather screw as shown in fig.9 ref.A.
- 5) Assemble the flange (fig.6-ref.1) centrally, on the shaft (Fig.6-ref.2), checking if the holes securing it to the beam are on the closing side.(Fig.6-ref.3) Position the washer (Fig.6-Ref.4) and carry out the tightening operations of the screw and relevant grower (Fig. 6-ref 5).
- 6) Vertically fit the beam (Fig.6-ref 6) on the flange (Fig.6-ref 1) and secure it with the supplied screws (Fig.6 ref.7).
- 7) Fit the protective cover (Fig.6 ref.8) on the flange (Fig.6-ref 6) and secure it with the supplied screws (fig.6 rif.1). Install and adjust the balancing spring.



4.4. INSTALLING AND ADJUSTING THE BALANCING SPRING

- 1) Check if the balancing spring matches the type of beam installed: see chapter 8.
- 2) Take the bronze bush (fig.7 ref.1) from the supplied package, fit it in the tie-rod (fig.7 ref.2) and secure it to the equaliser with M10 screw and washer (fig.7 ref.4).
- 3) While always keeping the beam in vertical position, assemble the tie-rod (fig.7 ref.2) on the spring (fig.7 ref.3), supplied separately.
- 4) Release the operator (see chapter 6) and position the beam at 45°, then adjust the tie-rod and set the spring until the weight of the beam is balanced in that position.
- 5) Restore normal operation as described in chapter 7.

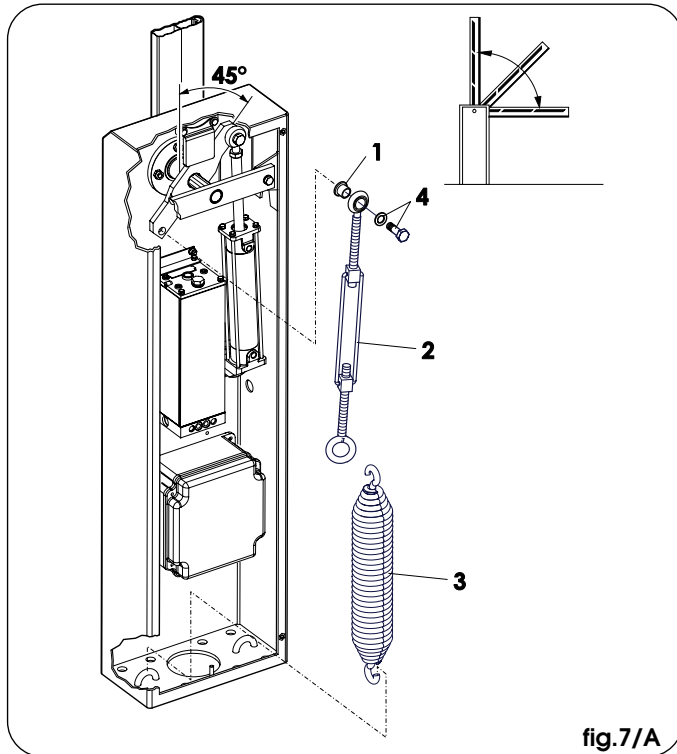


fig.7/A

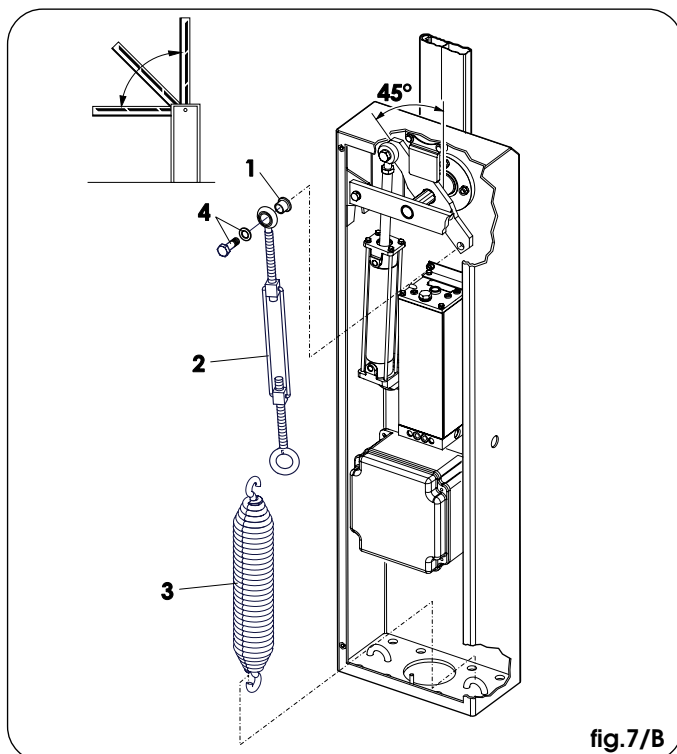


fig.7/B

4.5 CONVERTING FROM RIGHT-HAND TO LEFT-HAND VERSION

Procedure for converting a right-hand version to left-hand:
Release the operator.

Loosen the connection (fig.8 ref.A)

Provisionally remove the screw securing the piston (fig. 8 ref.B) and the seeger ring (fig.8 ref.C).

Turn the rocker arm.

Position the piston on the left and secure it with the screw (fig.8 ref.D) and seeger ring (fig.8 ref.E) you had previously removed.

Tighten the connection (fig.8 ref.F).

Re-lock the operator.

Remove the enclosure of the electronic equipment and re-install it on the left side of the bonnet, using the existing holes (The design makes it possible to secure the enclosure shifted by 7.5 cm to the left, and 5 cm higher than the original position).

Change over the connectors of the stroke-limit sensors (J6 and J9 on the 596/615BPR equipment).

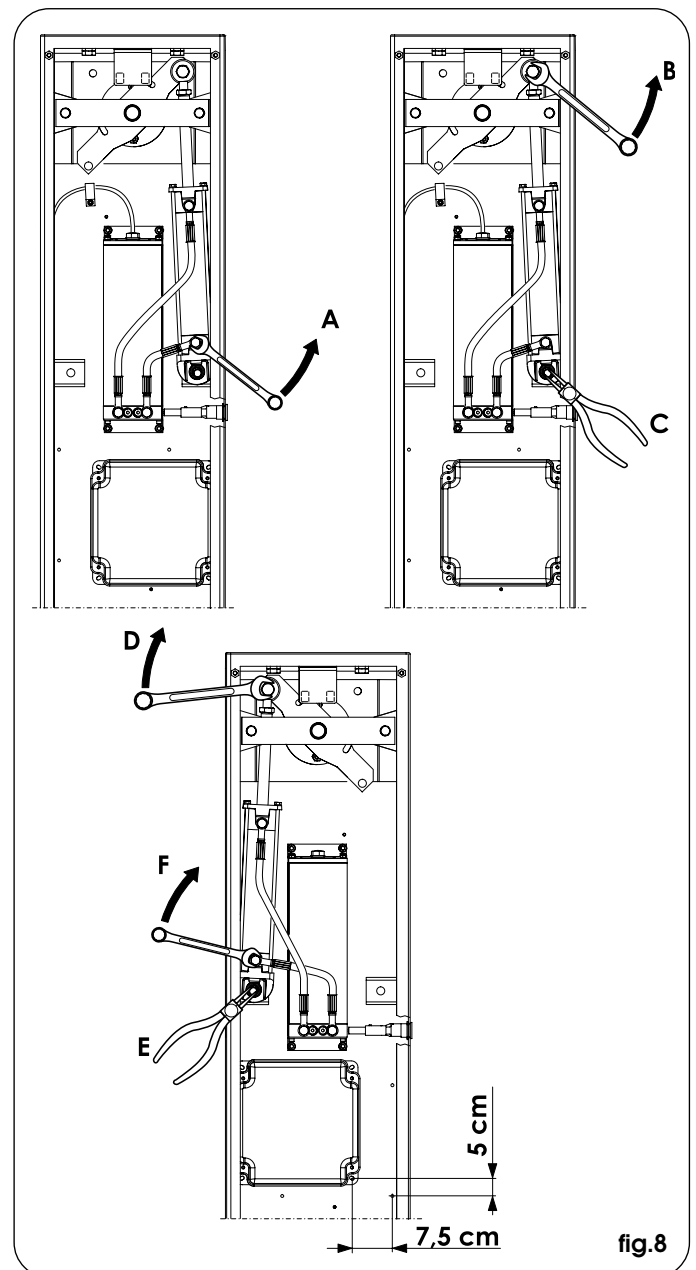


fig.8

5. START-UP

5.1. ADJUSTING TRANSMITTED TORQUE

To set the hydraulic system controlling transmitted power, turn the two by-pass screws (fig.9 ref.B).

The red screw controls closing movement torque.

The green screw controls opening movement torque.

To increase torque, turn the screws clockwise.

To reduce torque, turn the screws anti-clockwise.

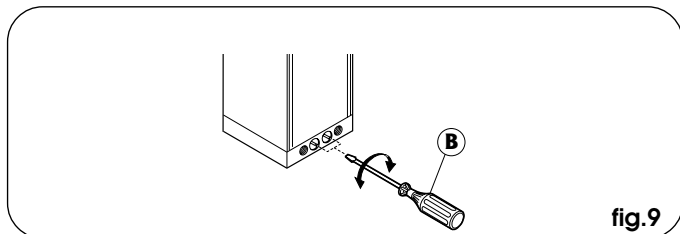


fig.9

5.2. ADJUSTING THE MECHANICAL STROKE LIMITERS

Adjust the position of the beam to maximum closing and opening positions, using the stroke limit mechanical stops as shown in fig. 10 ref. 1.

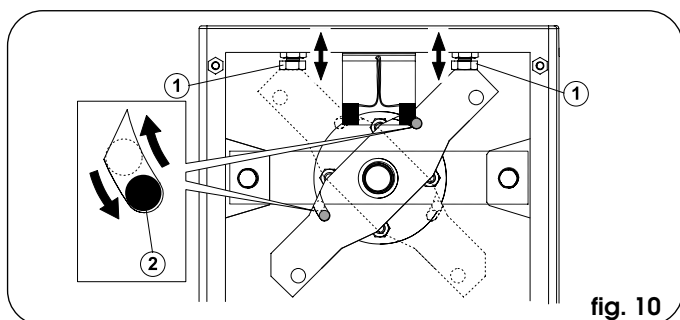


fig. 10

5.3. ADJUSTMENT OF MAGNETIC STROKE LIMIT-SWITCHES

The point where the automated system begins to make the slow-down movement can be modified, by moving the magnetic cylinder inside the seat located on the two arms of the equaliser in the motion unit (Fig.10 - ref.2).

5.4. AUTOMATION TEST

After installation, apply the danger warning sticker on the top of the upright (Fig 11).

Check operating efficiency of the automatic system and all accessories connected to it.

Hand the "User's Manual" to the Client, explain correct operation and use of the barrier, and indicate the potentially dangerous areas of the automatic system.

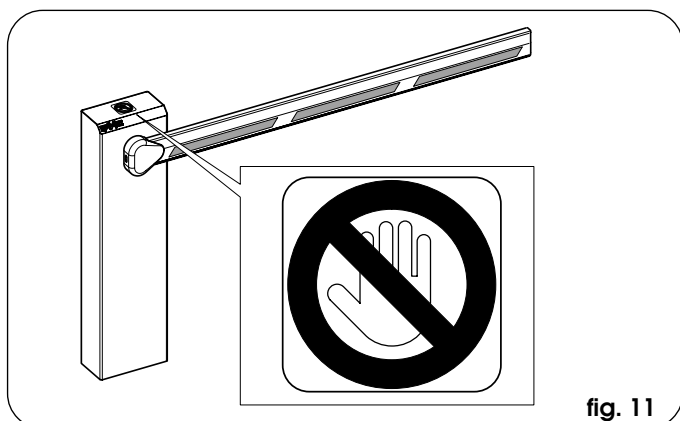


fig. 11

6. MANUAL OPERATION

If the barrier has to be moved manually due to a power cut or fault of the automatic system, use the release device as follows:

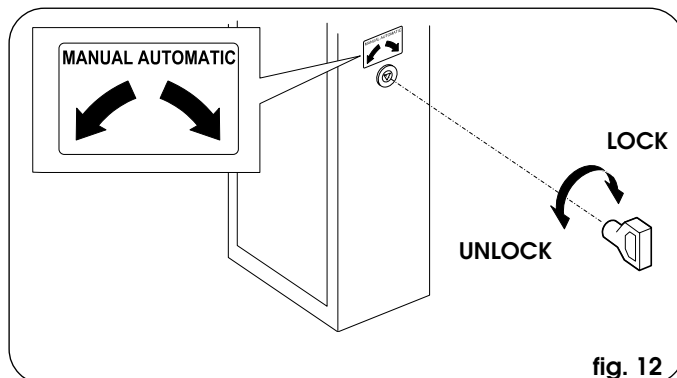


fig. 12

- Fit the standard triangular key (Fig.12) in the lock and turn it **anti-clockwise** through 1 turn.
- Open and close the barrier manually.

7. RESTORING NORMAL OPERATION MODE

To prevent an involuntary pulse from activating the barrier during the manoeuvre, before restoring normal operation, switch off power to the system, and turn the triangular key **clockwise** until it stops, and then remove it.

8. BALANCING SPRINGS

The 615BPR automatic system requires a balancing spring, which must be ordered separately. The spring varies according to length and type of beam (rigid, skirt or articulated).

Consult the tables below to see if the spring matches.

8.1. SPRINGS FOR RIGID AND SKIRTED BEAMS

Tab. 2

BALANCING SPRING			
∅	rigid beam	skirted beam	code
5.5	1.50 ÷ 2.50 m	1.50 ÷ 2.00 m	721008
6		2.01 ÷ 2.50 m	721005
6.5	2.51 ÷ 3.00 m	2.51 ÷ 3.00 m	721013
7	3.01 ÷ 4.00 m		721006
7.5		3.01 ÷ 4.00 m	721007
8	4.01 ÷ 5.00 m		721018

8.2. SPRINGS FOR RECTANGULAR BEAMS WITH FOOT AND WITH SKIRT AND FOOT

Tab. 3

BALANCING SPRING			
∅	Beam with foot	Beam with skirt and foot	code
6.0		1.50 ÷ 2.00 m	721005
6.5	1.50 ÷ 2.00 m	2.01 ÷ 2.50 m	721013
7.0	2.01 ÷ 3.00 m		721006
7.5		2.51 ÷ 3.50 m	721007
8.0	3.01 ÷ 4.00 m		721018

9. AVAILABLE ACCESSORIES

SKIRT KIT (fig. 13)

The skirt kit increases visibility of the beam. It is available in lengths from 2 m to 3 m.

⚠ If a skirt kit is installed, the balancing spring must be adapted.

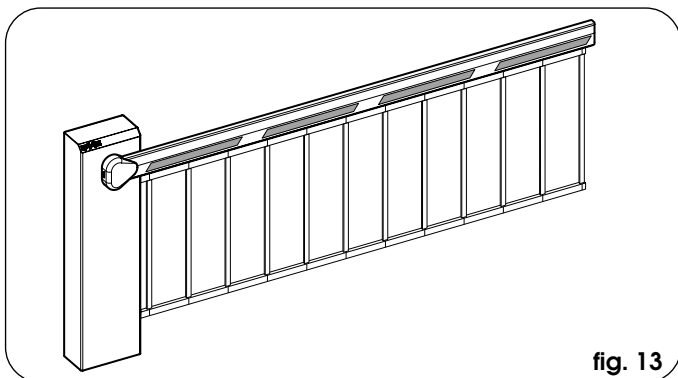


fig. 13

FORK SUPPORT (fig. 14)

The fork has two functions:

- it prevents the beam, when closed, from bending and splitting if its end is stressed by extraneous forces.
- it allows the beam to rest when closed and thus prevents the profile bending downward.

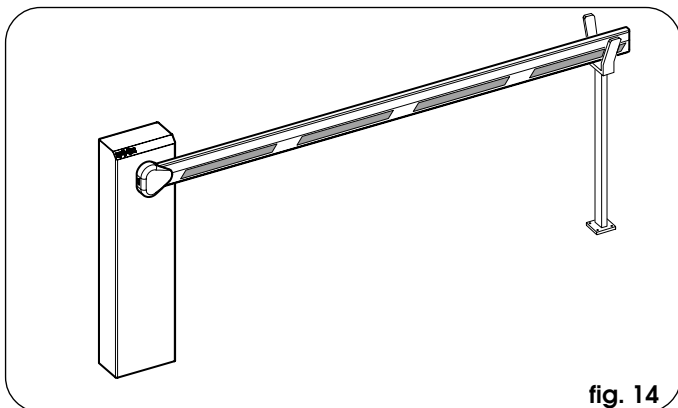


fig. 14

POSITIONING THE FORK SUPPORT FOUNDATION PLATE

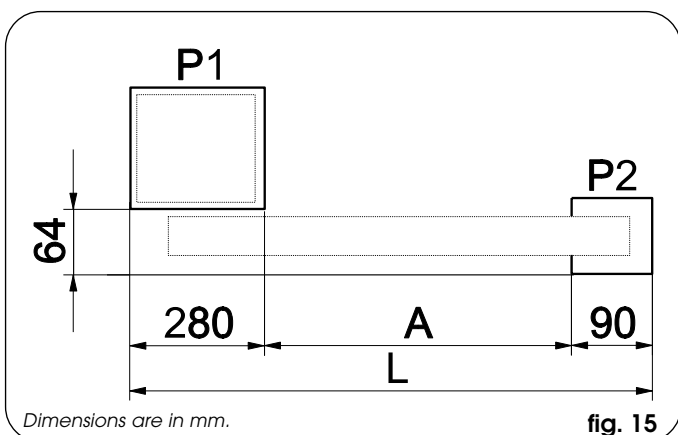


fig. 15

To position the fork support foundation plate, refer to fig. 15 where:

- P1 = barrier foundation plate
- P2 = fork support foundation plate
- L = beam length (in mm)
- A = L-385 (in mm)

ARTICULATION KIT (fig. 16)

The articulation kit makes it possible to articulate a rigid beam to a maximum ceiling height of 3 m (see specific instructions).

⚠ If an articulation kit is installed, the balancing spring must be adapted.

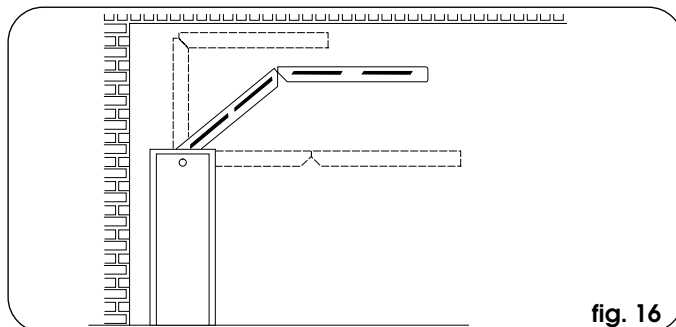


fig. 16

END FOOT (fig. 17)

The end foot allows the beam to rest when closed and thus prevents the profile bending downward.

⚠ If a foot is installed, the balancing spring must be readjusted.

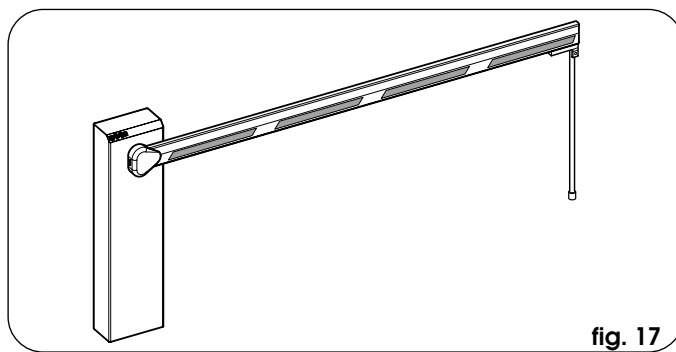


fig. 17

10. MAINTENANCE

Whenever doing maintenance, always check correct settings of the by-pass screws, system balancing, and efficiency of safety devices.

10.1. TOPPING UP OIL

Periodically check quantity of oil inside the tank.

An annual check is sufficient for low to medium use frequency; for heavier duty, check every 6 months.

The level must not fall below the low mark on the stick (fig. 18).

To top-up, unscrew the filling plug (fig. 18) and pour oil to MAX level on the stick.

Use only FAAC HP OIL oil and no other.

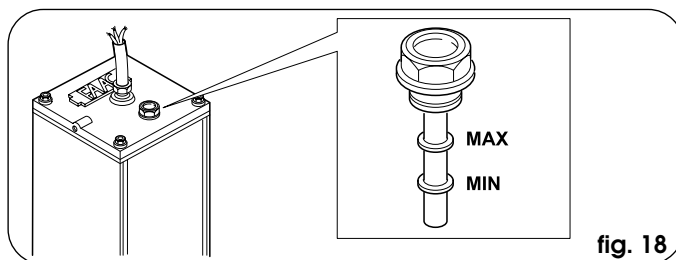


fig. 18

11. REPAIRS

For repairs, contact FAAC's authorised Repair Centres.

USER'S OPERATING MANUAL

615BPR AUTOMATIC SYSTEM

GENERAL SAFETY REGULATIONS

If correctly installed and used, the 615BPR automatic system ensures a high degree of safety.

Some simple rules on behaviour can prevent accidental trouble:

- Do not pass under the beam when it is moving. Wait for the beam to open fully before passing under it.
- Do not, on any account, stay under the beam.
- Do not stay near the automatic system, and do not allow children, persons or things to do so, especially when it is operating.
- Keep radio controls or other pulse generators away from children, to prevent the automatic system from being activated involuntarily.
- Do not allow children to play with the automatic system.
- Do not willingly obstruct beam movement.
- Prevent any branches or shrubs from interfering with beam movement.
- Keep indicator-lights efficient and easy to see.
- Do not attempt to activate the beam by hand unless you have released it.
- In the event of malfunctions, release the beam to allow access and wait for qualified technical personnel to do the necessary work.
- When you have set manual operation mode, cut power to the system before restoring normal operation.
- Do not in any way modify the components of the automation system.
- Do not attempt any kind of repair or direct action whatever and contact qualified personnel only.
- At least every six months: arrange for qualified personnel to check the automatic system, safety devices and earth connection.

DESCRIPTION

The 615BPR automatic system is an ideal barrier for controlling vehicle access areas up to 5 m in width and of medium transit frequency.

The hood contains a hydraulic pump unit, a double-acting cylinder, and the beam balancing spring.

The beam consists of an aluminium profile with red reflex reflectors so it can easily be seen even in the dark.

Barrier operation is controlled by an electronic control unit housed in an enclosure with adequate degree of protection against atmospheric agents, and which can be housed inside the hood.

The beam is normally closed in horizontal position.

When the electronic control unit receives an opening command via the radio control or any other pulse generator, it activates the hydraulic equipment which rotates the beam through 90° until it reaches the vertical position allowing access. If automatic mode was set, the beam closes automatically after selected pause time has elapsed.

If the semi-automatic mode was set, a second pulse must be sent to close the beam.

An opening pulse given during re-closing always reverses movement.

A stop pulse (if supplied) always stops movement.

For details on barrier behaviour in different function logics, consult the installation Technician.

The automatic systems include safety devices (photocells) that prevent the beam from re-closing when there is an obstacle in the area they protect.

The 615BPR automatic system is supplied (as a standard item) with an anti-crushing protection safety devices which limits the torque transmitted to the beam.

The hydraulic system guarantees the beam is stopped in any position.

Manual opening is, therefore, only possible by using the release system.

The (flashing) indicator-light indicates that the beam is moving.

MANUAL OPERATION

If the barrier has to be moved manually due to a power cut or fault of the automatic system, use the release device as follows:

The supplied key is triangular.

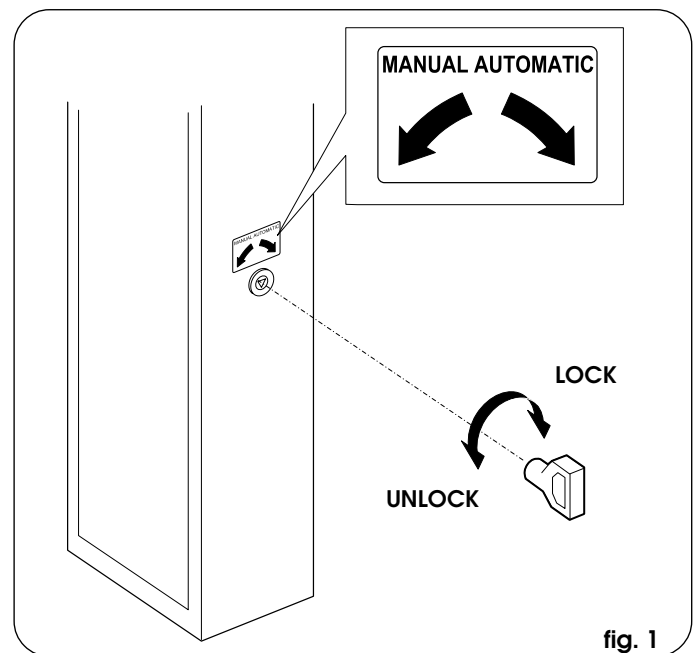


fig. 1

- Fit the triangular key (Fig.1) in the lock and turn it **anti-clockwise** through 1 turn.

- Open and close the barrier manually.

RESTORING NORMAL OPERATION MODE

To prevent an involuntary pulse from activating the barrier during the manoeuvre, before restoring normal operation, switch off power to the system, and turn the triangular key **clockwise** until it stops, and then remove it.

Le descrizioni e le illustrazioni del presente manuale non sono impegnative. La FAAC si riserva il diritto, lasciando inalterate le caratteristiche essenziali dell'apparecchiatura, di apportare in qualunque momento e senza impegnarsi ad aggiornare la presente pubblicazione, le modifiche che essa ritiene convenienti per miglioramenti tecnici o per qualsiasi altra esigenza di carattere costruttivo o commerciale.

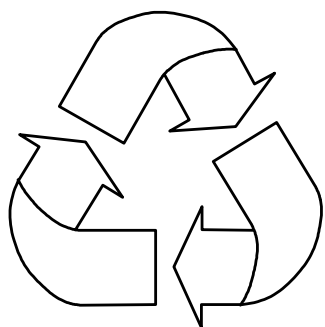
The descriptions and illustrations contained in the present manual are not binding. FAAC reserves the right, whilst leaving the main features of the equipments unaltered, to undertake any modifications it holds necessary for either technical or commercial reasons, at any time and without revising the present publication.

Les descriptions et les illustrations du présent manuel sont fournies à titre indicatif. FAAC se réserve le droit d'apporter à tout moment les modifications qu'elle jugera utiles sur ce produit tout en conservant les caractéristiques essentielles, sans devoir pour autant mettre à jour cette publication.

Die Beschreibungen und Abbildungen in vorliegendem Handbuch sind unverbindlich. FAAC behält sich das Recht vor, ohne die wesentlichen Eigenschaften dieses Gerätes zu verändern und ohne Verbindlichkeiten in Bezug auf die Neufassung der vorliegenden Anleitungen, technisch bzw. konstruktiv/kommerziell bedingte Verbesserungen vorzunehmen.

Las descripciones y las ilustraciones de este manual no comportan compromiso alguno. FAAC se reserva el derecho, dejando inmutadas las características esenciales de los aparatos, de aportar, en cualquier momento y sin comprometerse a poner al día la presente publicación, todas las modificaciones que considere oportunas para el perfeccionamiento técnico o para cualquier otro tipo de exigencia de carácter constructivo o comercial.

De beschrijvingen in deze handleiding zijn niet bindend. FAAC behoudt zich het recht voor op elk willekeurig moment de veranderingen aan te brengen die het bedrijf nuttig acht met het oog op technische verbeteringen of alle mogelijke andere productie- of commerciële eisen, waarbij de fundamentele eigenschappen van de apparaat gehandhaafd blijven, zonder zich daardoor te verplichten deze publicatie bij te werken.



FAAC per la natura

- La presente istruzione è realizzata al 100% in carta riciclata.
- Non disperdete nell'ambiente gli imballaggi dei componenti dell'automazione bensì selezionate i vari materiali (es. cartone, polistirolo) secondo prescrizioni locali per lo smaltimento rifiuti e le norme vigenti.

FAAC for the environment

- The present manual is produced in 100% recycled paper
- Respect the environment. Dispose of each type of product packaging material (card, polystyrene) in accordance with the provisions for waste disposal as specified in the country of installation.

FAAC écologique

- La présente notice a été réalisée 100% avec du papier recyclé.
- Ne pas jeter dans la nature les emballages des composants de l'automatisme, mais sélectionner les différents matériaux (ex.: carton, polystyrène) selon la législation locale pour l'élimination des déchets et les normes en vigueur.

FAAC der Umwelt zuliebe

- Vorliegende Anleitungen sind auf 100% Altpapier gedruckt.
- Verpackungstoffe der Antriebskomponenten (z.B. Pappe, Styropor) nach den einschlägigen Normen der Abfallwirtschaft sortenrein sammeln.

FAAC por la naturaleza.

- El presente manual de instrucciones se ha realizado, al 100%, en papel reciclado.
- Los materiales utilizados para el embalaje de las distintas partes del sistema automático (cartón, poliestireno) no deben tirarse al medio ambiente, sino seleccionarse conforme a las prescripciones locales y las normas vigentes para el desecho de residuos sólidos.

FAAC voor de natuur

- Deze gebruiksaanwijzing is gedrukt op 100% kringlooppapier.
- Laat de verpakkingen van de componenten van het automatische systeem niet in het milieu achter, maar scheidt de verschillende materialen (b.v. karton, polystyreen) volgens de plaatselijke voorschriften op de afvalverwerkingen en de geldende normen.

FAAC

FAAC S.p.A.
Via Benini, 1
40069 Zola Predosa (BO) - ITALIA
Tel.: 051/61724 - Fax: 051/758518
www.faacgroup.com



Timbro del Rivenditore:/Distributor's Stamp:/Timbre de l'Agent:/ Fachhändlerstempel:/Sello del Revendedor:/Stempel van de dealer: