

390

electro-mechanical actuator **for residential swing-leaf gates** **length of single-leaf 1.8 m (3m with electric lock)** **for bi-folding doors** **with 1.5 m maximum width of single panel**



QUICK AND EASY TO INSTALL

Quick and easy to install, no need for expensive modifications to the existing load bearing structure. Use of electro-mechanical technology makes the FAAC 390 automatic system ideal for light duty applications.

THE IDEAL CHOICE FOR LARGE PILLARS

The FAAC 390 electro-mechanical actuator is the most practical and economic choice for automating gates on large pillars. The non reversing movement of the actuator, for gates with length of up to 1.8 metres, means an electrical lock is not needed.

ELECTRONIC SAFETY

Anti-crushing protection is ensured by an electronic device installed on the 410 MPS or 450 MPS control boards, which directly controls drive torque. In case of an emergency, the release key makes it possible to operate the gate manually.

LESS MAINTENANCE, HIGHLY RELIABLE

The FAAC 390 electro-mechanical device cuts down considerably on maintenance. Reliability is assured under all atmospheric conditions and in an outdoor temperature range of -20°C to +55°C.

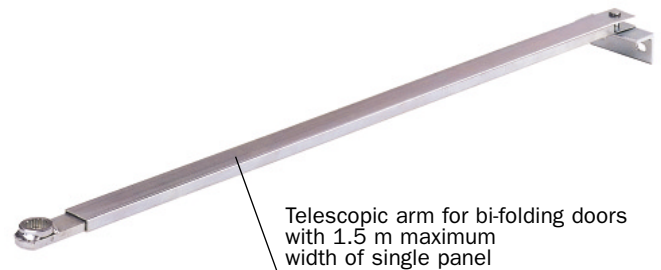
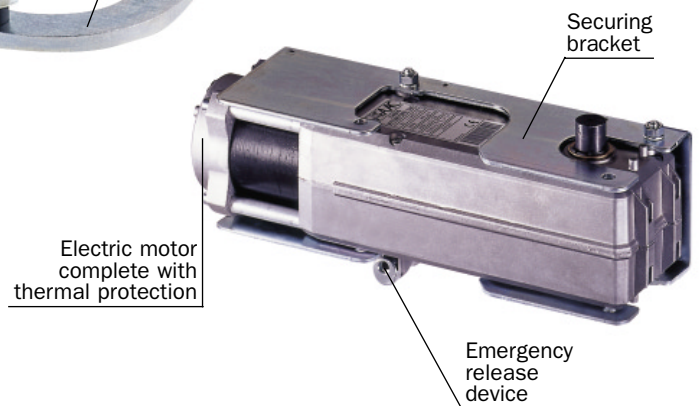
SPECIFICATIONS

Non-reversing electro-mechanical actuator • Use frequency max. 15 cycles/hour • Torque 250 Nm • Angle speed 9°/s • Electric motor power supply 230 V (+6% -10%) - 50 (60) Hz • Electric motor power 280 W • Thermal protection at 140° built into motor winding • Overall dimensions (Length x Width x Height) 410 x 130 x 130 mm • Protection class IP44 • Operating ambient temperature -20°C +55°C • Internal release device with hexagonal key • Designed to have external release device with cable and sheath (optional) • Motor housing with corrosion-proof treatment • Reduction ratio of motor/transmission shaft 1:640 • Painted housing in ABS

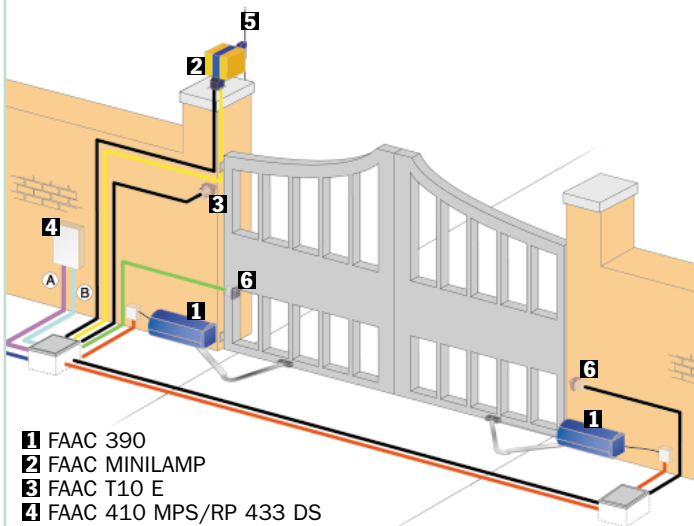
• **Application with articulated arm for swing-leaf gates, with single leaf length of 1,8 m (3 m with electric lock)**

• Pillar installation • Maximum distance between gate hinge and pillar edge: 300 mm • Leaf opening inwards or outwards • Maximum opening angle: 120°

• **Application by telescopic arm on bi-folding doors with single panel width of 1,5 m**



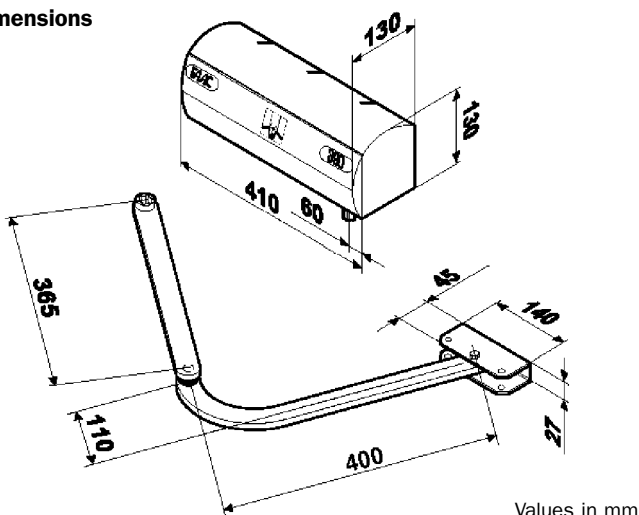
INSTALLATION DIAGRAM SPECIMEN



Low voltage cabling		Power cabling (230V)	
A	3 cable 3x0,5	B	2 cable 3x1,5+T
	1 cable 2x0,5		1 cable 2x1,5+T
			1 cable 2x1,5

N.B: Cable diameters in mm²

Dimensions



Use			
Model	Swing-leaf gates		
	Single-leaf max. width (m)	Nr. of leaves	Use frequency (cycles/hour)
390	1,80 (3 m with electric lock)	1	15
Model	Bi-folding doors		
	Single-panel max. width (m)	Nr. of leaves	Use frequency (cycles/hour)
390	1,5 m	1	15

Technical specifications	390
Power supply	230 V (+6% -10%) 50 (60) Hz
Absorbed power	280 W
Absorbed current	1,5 A
Motor rotation speed	1.400 rpm
Rotation ratio	1:640
Angle speed	9°/s
Max torque	250 Nm
Thermal protection on motor winding	140°C
Operating ambient temperature	-20°C +55°C
Protection class	IP 44
Weight	12 kg