

Pop

For swing gates with leaves max. 2m, and those versions with large pillars and lightweight structures, ideal for one leaf pedestrian gates.

Electromechanical gear motor irreversible 24Vdc with articulated arm, surface mounted.

Two irreversible 24Vdc versions complete with limit switch in opening either without control unit (PP7224) or with incorporated control unit (PP7024).

User-friendly: release with personalised Nice key designed for cord-type release.

Sophisticated electronics: slowdown, obstacle detection system, can be linked to the 8K2 resistive sensitive edge.

Easy to install: no welding.

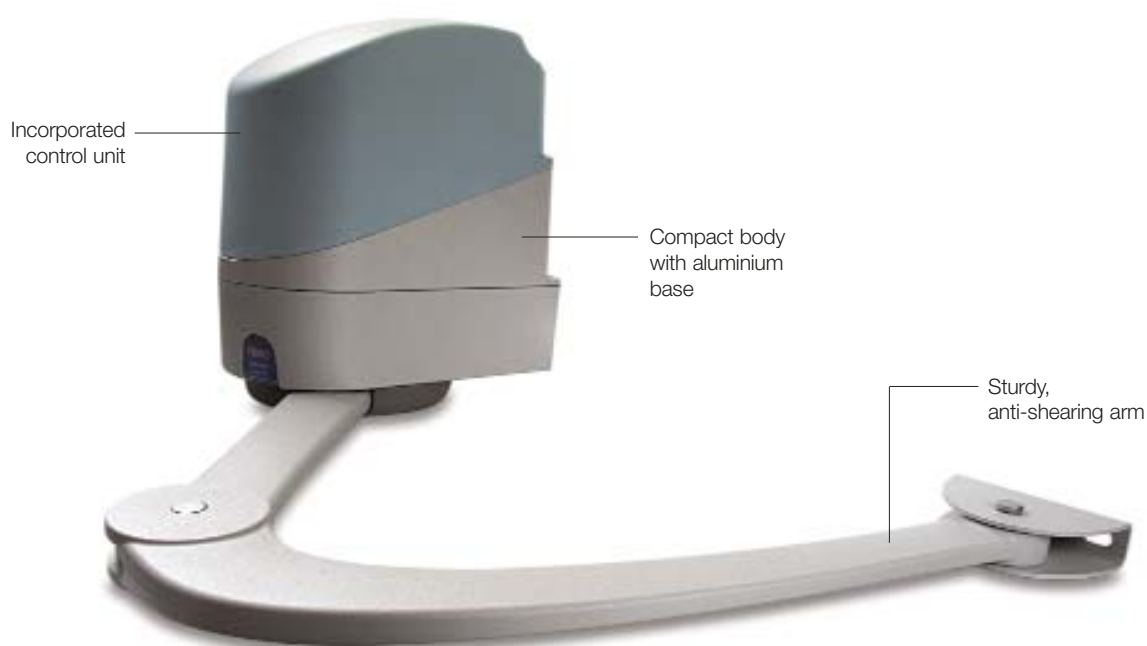
Compact: 167mm in width, ideal for any kind of post.

Always ready for use: continues to work even during power failures using optional (PS124) batteries that fit inside the motor.

Powerful: thanks to the 180Nm torque.

24Vdc version perfect for intensive use.

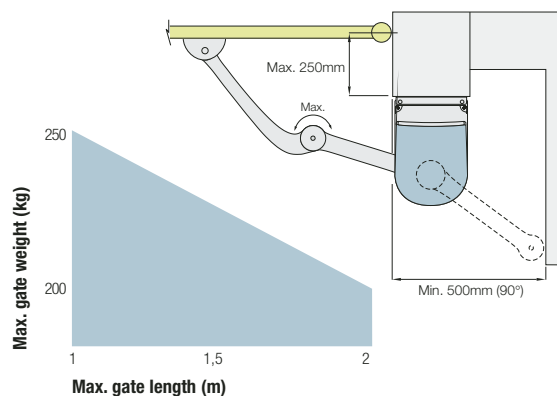
- easy programming by pressing a single button;
- clutch with anti-crush safety feature
- automatic memorization of limit switches in opening and closing with self-learning function;
- pause time programming; pedestrian door; slowdown during opening and closing



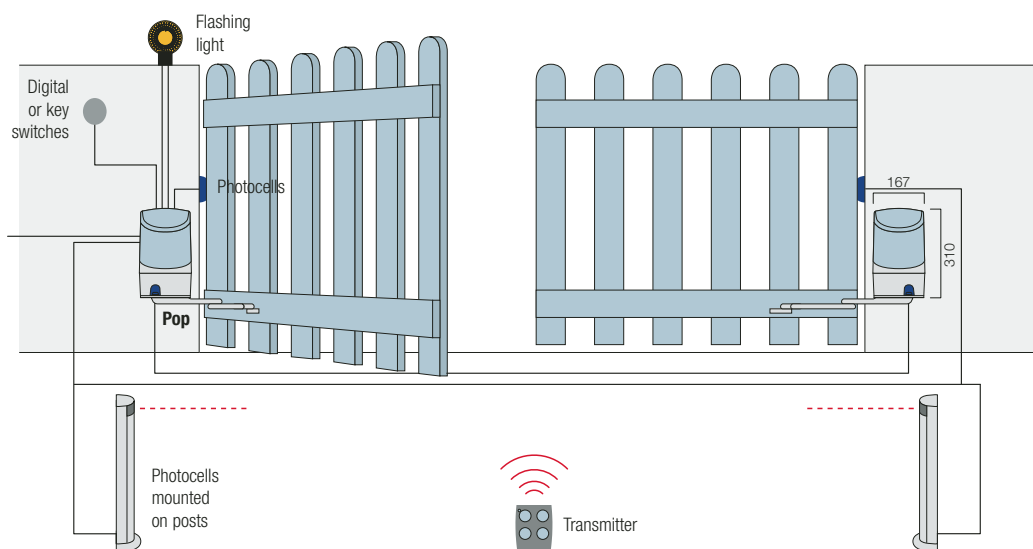
Code	Description	Pack/pallet
PP7024	irreversible, 24Vdc, with articulated arm, with incorporated control unit	22
PP7224	irreversible, 24Vdc, with articulated arm, without control unit	22

Technical specifications	PP7024	PP7224
Power (Vac 50Hz)	230	-
Emergency power supply		PS124
Current absorbed (line) (A)	~1	3
Power absorbed (W)		75
Protection level (IP)		44
Torque (Nm)		180
Speed (Rpm)		1.26-1.68
Opening time (s)		10
Working temp. (°C Min/Max)		-20 ÷ +50
Insulation class (%)	1	B
Work cycle (%)		30
Dimensions (mm)		167x310x254
Weight (kg)	10	9.7

Utilisation limits



The shape, the height of the gate and the weather conditions can considerably reduce the values shown in the graph to the side.



Approximate draft

Accessories



POA1
spare control unit for PP7024



KA1
6m cable release kit for KIO
Pc./pack 1



PS124
24V battery with built-in battery charger
Pc./pack 1



PLA10
vertical 12V electric lock (required for gates longer than 3m)
Pc./pack 1



PLA11
horizontal 12V electric lock (required for gates longer than 3m)
Pc./pack 1



KIO
key-operated selector switch for low voltage contacts, with release mechanism for metal cord
Pc./pack 1



CM-B
lock with two metal keys compatible with SELE
(see spare parts price-list)



TS
signboard
Pc./pack 1

Nice recommends customers order products in pallets in order to facilitate storage and delivery, and ensure packs are uniform. The number of packs per single pallet has been specified for this reason.